

CHROMA



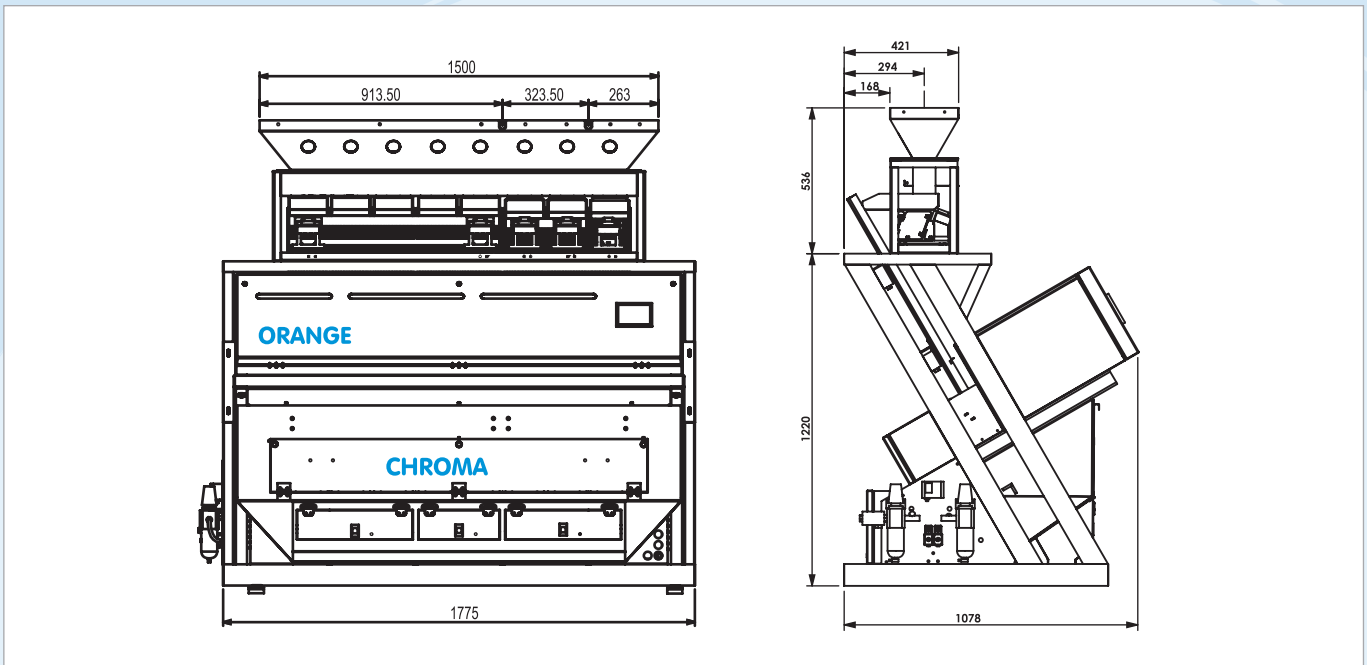
*India's No.1 brand in sorting machines
that gives you accurate results, great
performance and good service backup*



www.orangesorter.com

Making
Quality
Our First Priority

CHROMA - Technical Diagram



* All dimensions are in mm

Technical Features



Programmable Reject Size helps in sorting double boiled and rose rice with Bran streaks. Small spot defects can be measured and allowed with accept.



Extruded with imported aluminium hard anodized chutes to give ultimate smoothness with good life.



Tank Sensor : stops sorting when the tank is empty (optional)



Pressure Sensor : Stops feeding when air pressure goes low.



Automatic Cleaning System with programmable timer



Touch screen with amber colored background makes HMI interface efficiently. Easy program selection from the available 32 programs.



CPLDs for highly reliable Computer & Electronic Circuit



Sorting Modes:

- Forward Sorting : To Remove Dark and Discolor Grains
- Reverse Sorting : To Remove Chalky

Technical Specification*

Models	Channels			Length [†] mm	Width mm	Height mm	Capacity ^{**} t/h	Power Required KVA	Air Required ^{***}		Operating Voltage Volts/Hertz
	Primary	Resort 1	Resort 2						Typical CFM At 5 to 7 Bar	Max CFM	
CHROMA 090	60	15	15	1775	1078	1756	0.9 to 1.8	2.0	36	45	220, 50/60
CHROMA 120	75	30	15	1775	1078	1756	1.5 to 2.4	2.5	48	60	220, 50/60

* The specifications may be changed without notice due to continuous improvement in technical developments.

** The capacity depends on incoming product quality.

*** The capacity of the air requirement depends on the contamination percentage in raw material and the purpose of sorting.

SF No.90/3, Adhavan Industrial Estate, Athipalayam Road, Chinnavedampatti, Coimbatore - 641 049. Tamil Nadu, INDIA.
Phone : +91 422 4528888 • Fax : +91 422 4528899 • E-mail: marketing@orangesorter.com